



50P Series

High Pressure Filters



ENGINEERING YOUR SUCCESS.

50P Series

Applications

Applications for 50P series filters

- Automotive specified equipment
- Hydrostatic transmission circuits
- Servo and proportional controls
- Offshore drilling rigs
- Mining equipment
- Power units

The design objective for all Parker filters is to achieve a sensible balance between cost and performance. We use state of the art technology to arrive at innovative yet practical designs, which are cost effective for OEM's and users alike.

The 50P series allows you to customize each filter to closely match your needs. Choose the options which best fit your application. No need to waste money on features you don't need.

The 50P series filters are bowl-up, which provides several possible advantages. The bowl-up mounting makes servicing the elements quick and easy. Simply remove the top cover to access the element. A drain port is provided to allow oil be removed from filter prior to element servicing. This design reduces the possibility of oil spillage and injury to maintenance personnel.

The 50P series has optional manifold porting for space saving design that reduces the number of fittings and potential leak points. The porting is also designed to match the installation of many other manufacturers. Most important, the 50P series meets the SAE HF4 automotive standard.



50P Series

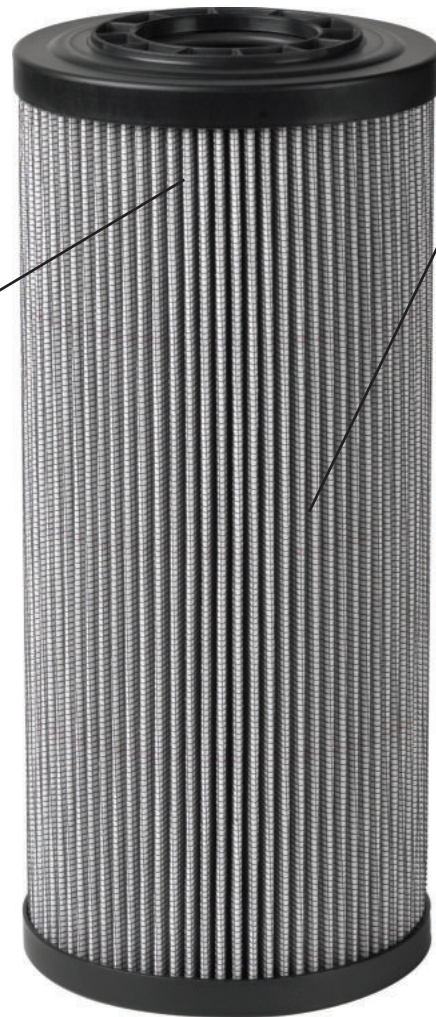
Features

O-Ring Seal

Positive sealing for optimum element efficiency

Plastic End Caps

Excellent corrosion protection
Laser marked for clear long lasting identification



Microglass Media

Multi-layer for high capacity and high efficiency
Four different micron sizes available
Wire reinforced to prevent pleat bunching

Spiral Support Cylinders (Not Visible)

High strength consistent support
Continuous length eliminates leak points and increases surface area

Meets SAE HF4 specification for automotive uses

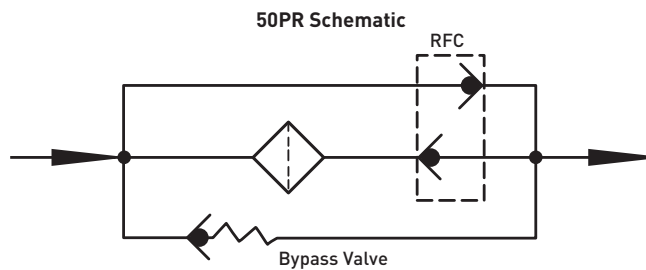
Feature	Advantage	Benefit
Base mounted filter	No brackets required for installation	Reduces installation costs
Top access cover	Remove element from top Lighter than removing entire bowl	No oil mess
Visual and electrical indicators	Know exactly when to service elements	
Drain port	Drain all oil from assembly prior to servicing	Eliminates cross contamination
Vent port	Purges all trapped air in filter	Get the maximum performance from elements Prevents a "spongy" system
Multipass tested elements	Element performance backed by recognized test standards	Elements selected will have consistent performance levels
Microglass elements	Multi-layer media Wire reinforced pleats	High capacity with high efficiency No performance loss from pleat bunching

50P Series

50PR Reverse Flow Filter

The 50PR was designed specifically for hydrostatic transmission loops because of its capability to handle reverse flow.

Closed circuit HSTs frequently reverse direction causing flow to reverse in the fluid lines. Pressure filters installed between pump and motor must be able to handle reverse flow without having contaminant washed off of the elements and back into the system. To prevent such an occurrence, the filters require the use of internal check valves to direct the flow through the element in one direction and around the element in the other. Parker's internal check valve design minimizes additional pressure loss and eliminates the cost associated with external valves and fittings. Also the internal design keeps the envelope dimensions of the filter to a minimum as can be seen on the installation drawing.



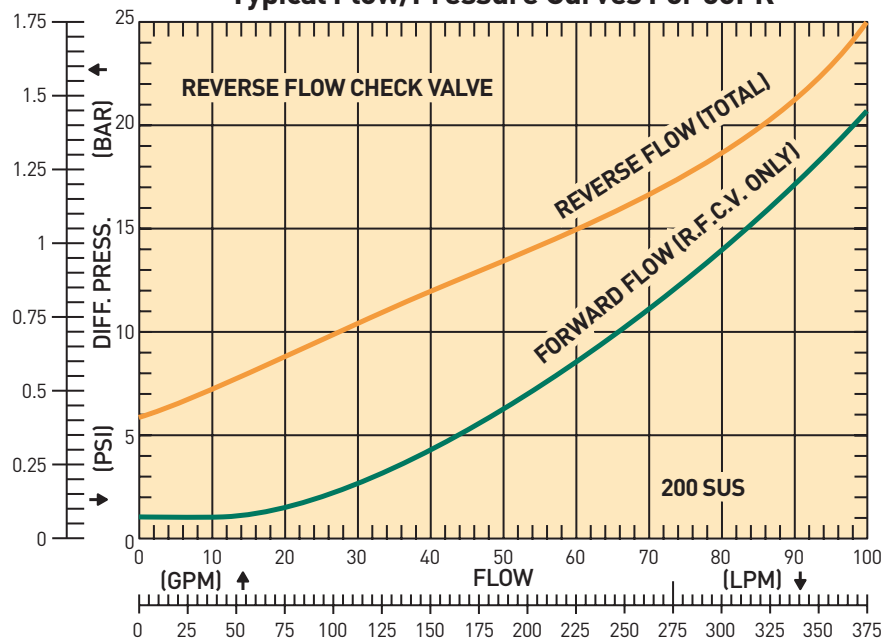
Sizing 50PR Filter Assemblies

To accurately determine the total pressure loss that will be seen when used in your system, the following steps should be taken.

1. Examine the "Flow vs. Pressure" curve below. Find the pressure drop for the maximum system flow on the forward flow curve. Record this value as "housing with check valve pressure loss."
2. Examine the appropriate pressure loss curve for the media and bowl length combination. These curves are found in the Element Performance Data section.
3. Find the pressure drop for the maximum flow rate through the filter and record this value as "element pressure loss."
4. Find the empty housing pressure drop for the maximum flow rate through the filter and record this value as "empty housing pressure loss."
5. Add the values obtained in steps 1 and 3, then subtract out the value from step 4. The resultant pressure loss should not exceed 1/3 of the bypass valve or indicator you intend to select. If this ratio exceeds 1/3, then a double length housing or other media grade may need to be considered.

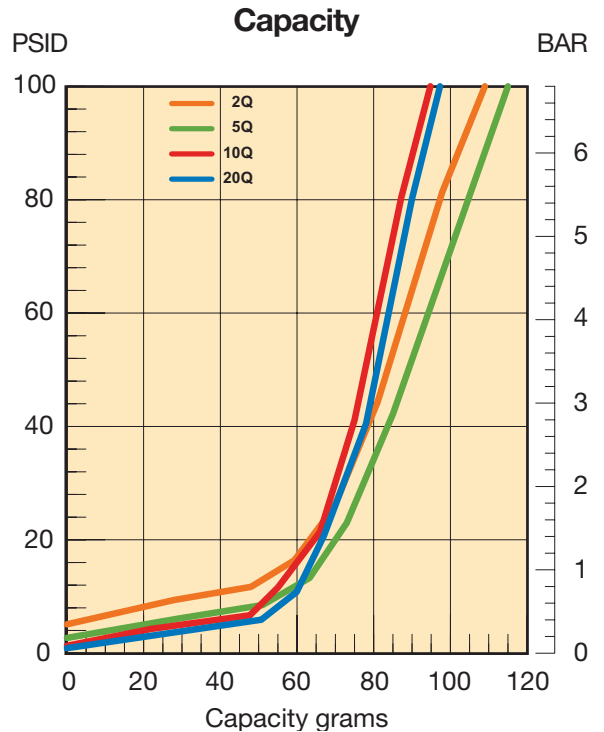
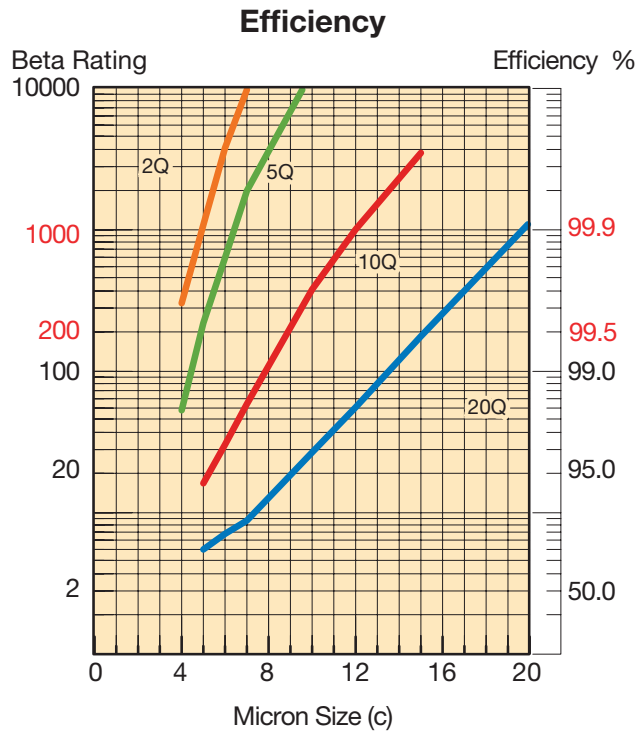
Contact the division if there is any doubt as to the total pressure loss you have calculated.

Typical Flow/Pressure Curves For 50PR



50P Series

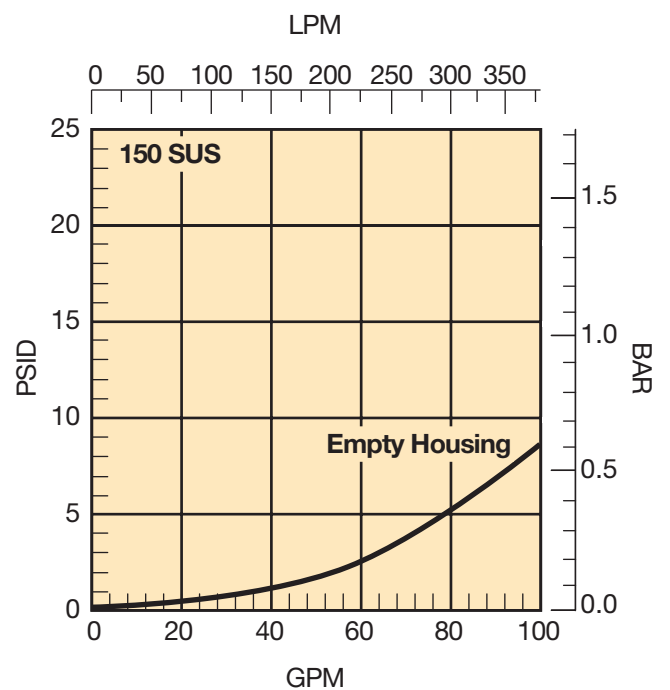
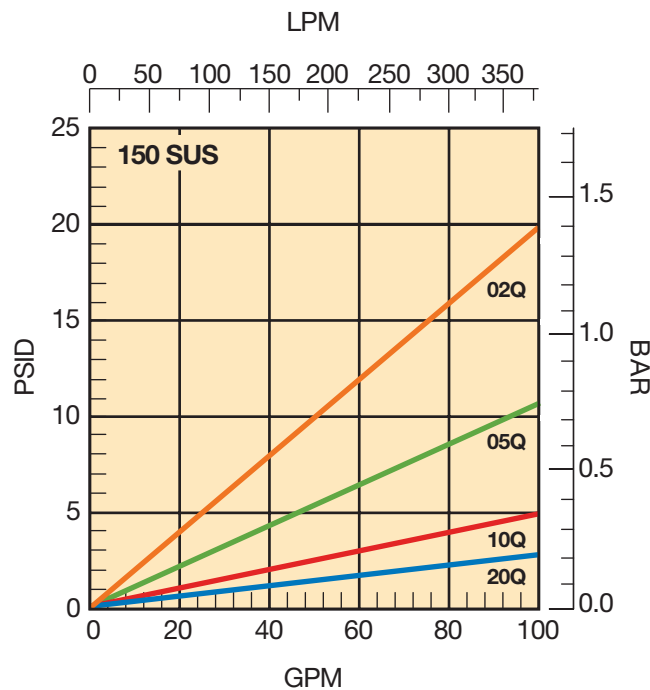
50P-1 Element Performance



Results typical from Multi-pass tests run per test standard ISO 16889 @ 50 gpm to 100 psid terminal - 10 mg/L BUGL
 Refer to Appendix on pages 264-265 for relationship to test standard ISO 4572.

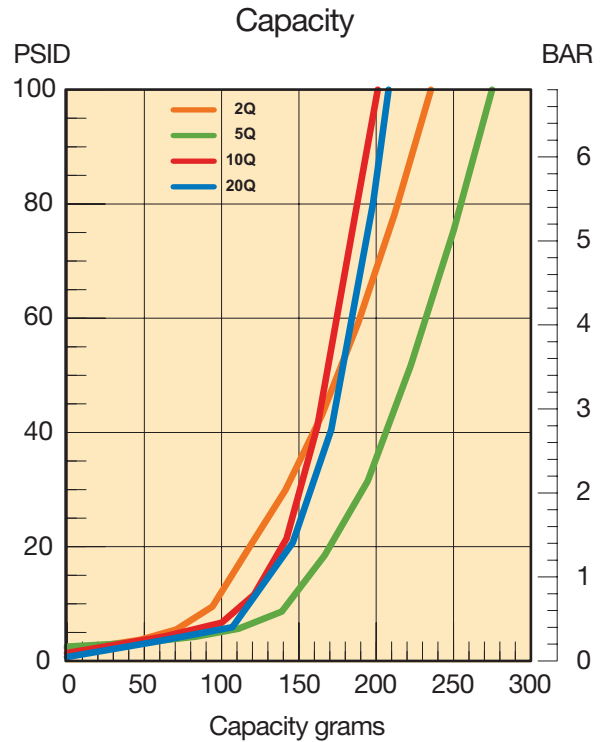
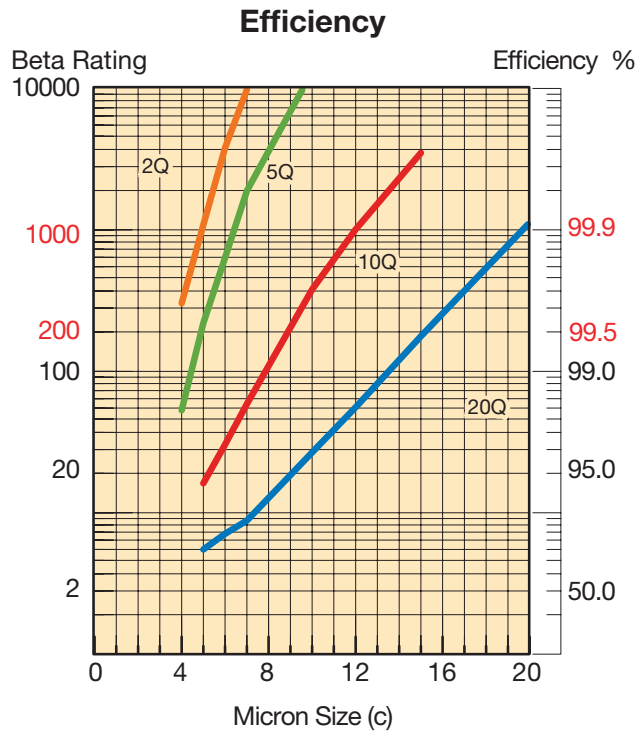
*High Collapse Correction Factor:
 "QH" Elements (2000 psid) = 1.4 times reported loss

Flow vs. Pressure Loss



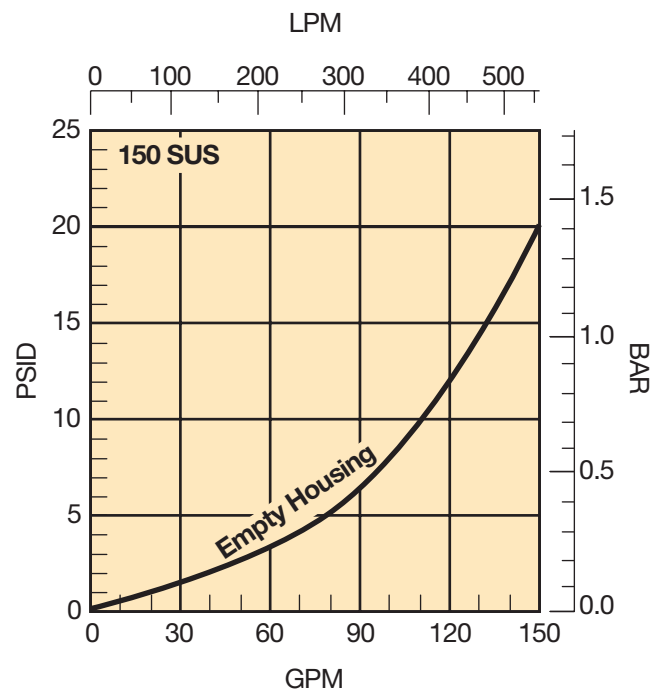
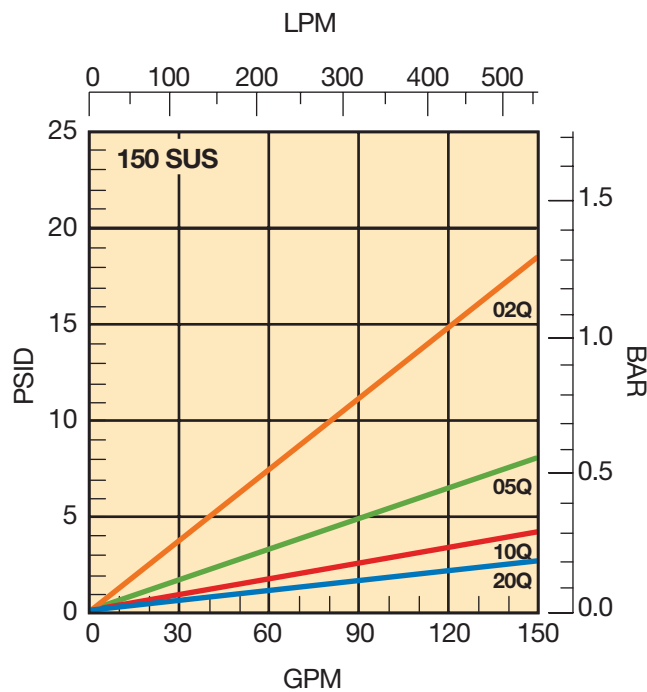
50P Series

50P-2 Element Performance



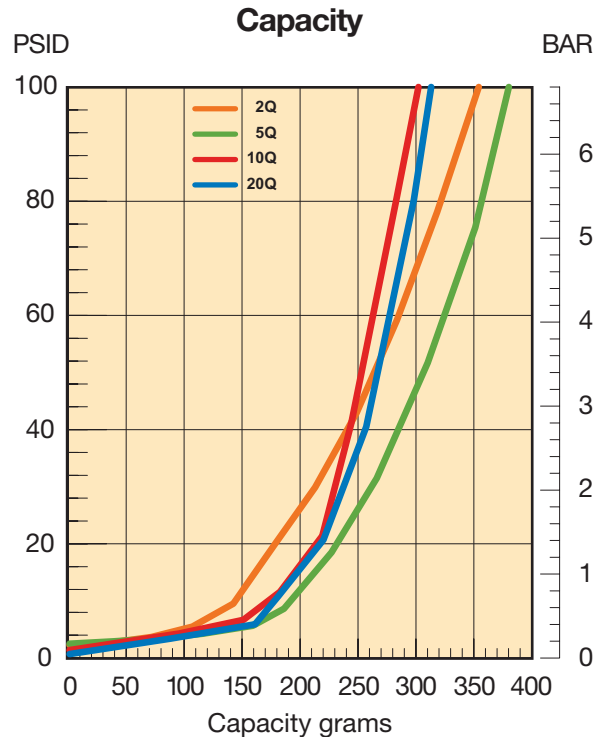
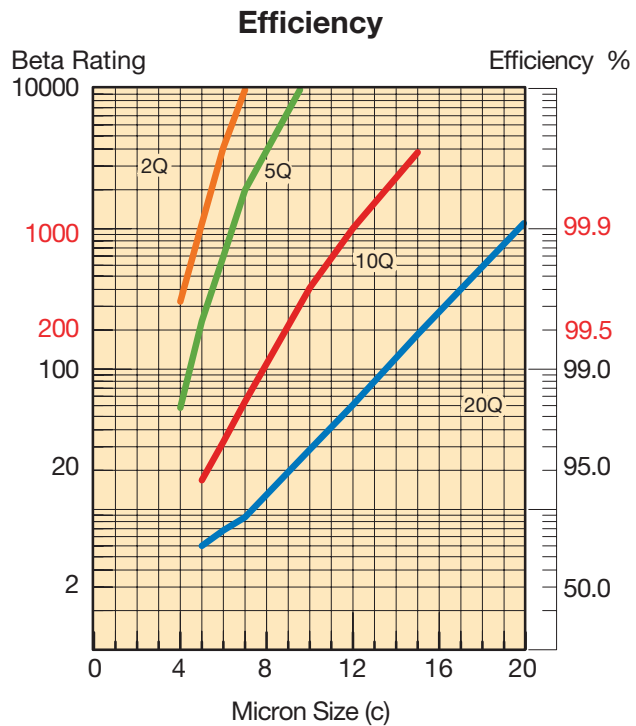
Results typical from Multi-pass tests run per test standard ISO 16889 @ 80 gpm to 100 psid terminal - 10 mg/L BUGL
 Refer to Appendix on pages 264-265 for relationship to test standard ISO 4572.

Flow vs. Pressure Loss



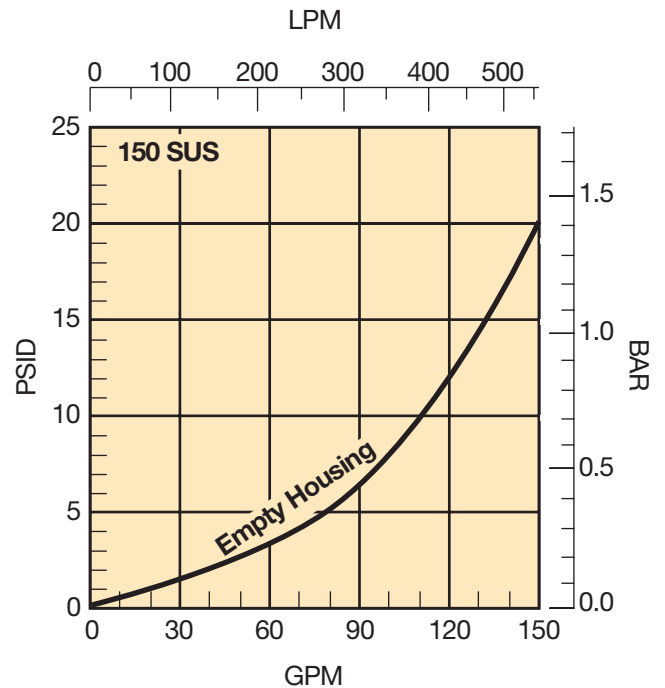
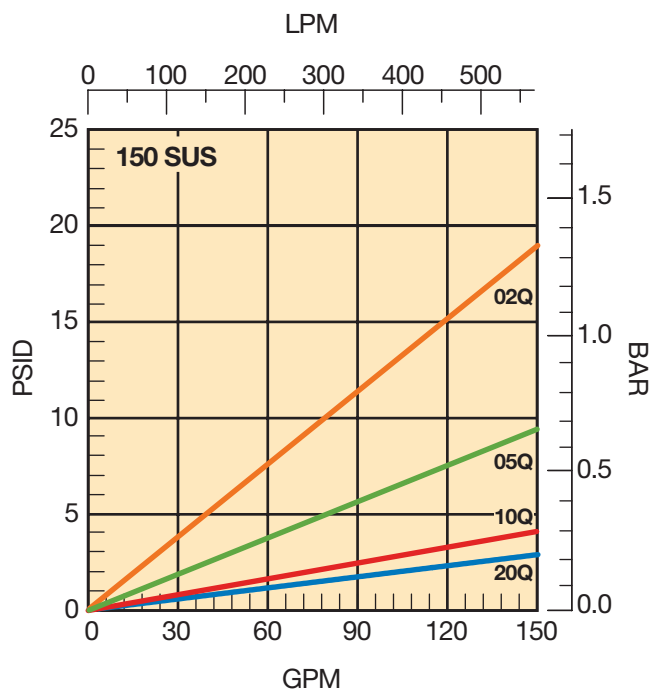
50P Series

50P-3 Element Performance



Results typical from Multi-pass tests run per test standard ISO 16889 @ 80 gpm to 100 psid terminal - 10 mg/L BUGL
 Refer to Appendix on pages 264-265 for relationship to test standard ISO 4572.

Flow vs. Pressure Loss



50P Series

Specifications

Pressure Ratings:

Maximum Allowable Operating Pressure (MAOP): 5000 psi (344.8 bar)
 Rated Fatigue Pressure: 3500 psi (241.4 bar)
 Design Safety Factor: 3:1

Element Collapse Rating:

150 psid (10.2 bar) standard
 2000 psid (138 bar) high collapse "H" option

Operating Temperatures:

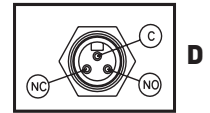
Buna: -40°F (-40°C) to 225°F (107°C)
 Fluorocarbon: -15°F (-26°C) to 275°F (135°C)

Filter Materials:

Head (base) and Cover: ductile iron
 Bowl: seamless steel tube

Indicators:

Visual 3 band (clean, change element, bypass)
 Electrical: visual as above plus electrical switch with wire leads or connection as selected.
 5A @ 240VAC
 3A @ 28VDC
 SPDT



Color Coding:

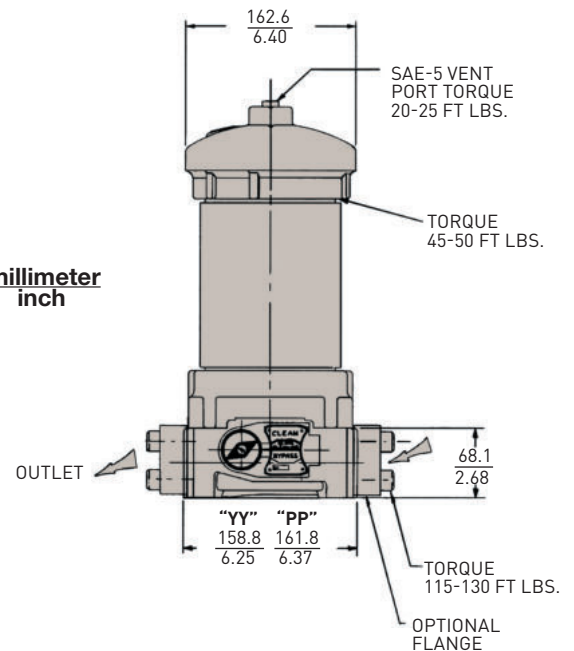
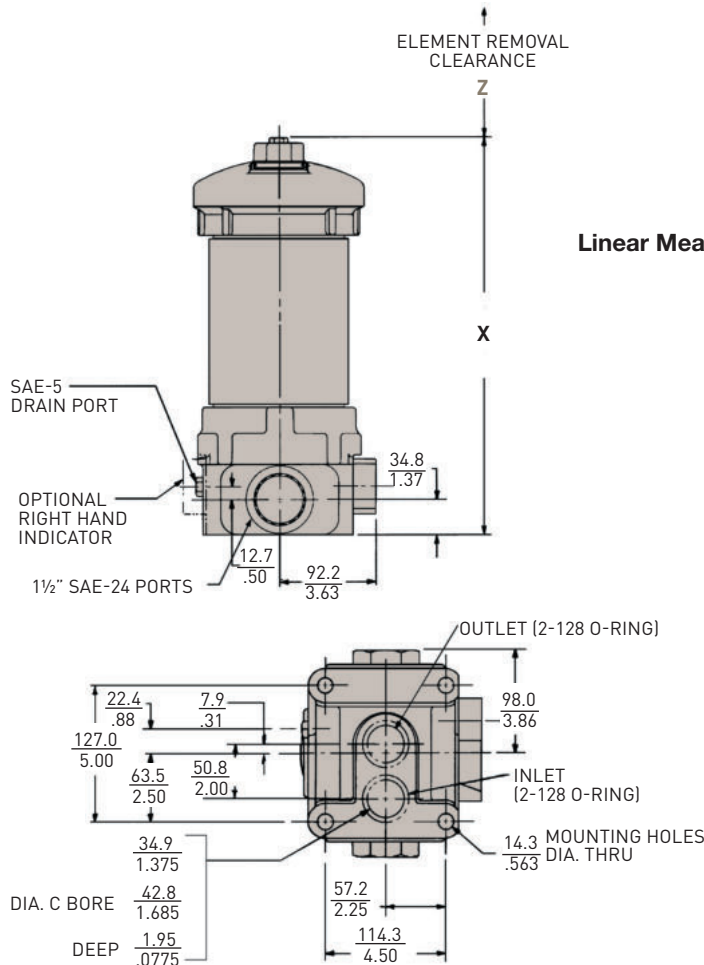
White (normally closed)
 Red (normally open)
 Black (common)

Shipping Weights (approximate):

50P-1: 56 lb. (25.4 kg)
 50P-2: 77 lb. (34.9 kg)
 50P-3: 95 lbs. (43.0 kg)
 50PR-1: 59 lb. (26.8 kg)
 50PR-2: 80 lb. (36.3 kg)

Dimensions: mm/inches	50P-1	50PR-1	50P-2	50PR-2	50P-3
X	387.1 15.24	404.6 15.93	622.8 24.52	640.3 25.21	850.4 33.48
Z	254.0 10.00	254.0 10.00	508.0 20.00	508.0 20.00	760.2 30.00

Drawings are for reference only.
 Contact factory for current version.



50P Series

Parts List and Service Instructions

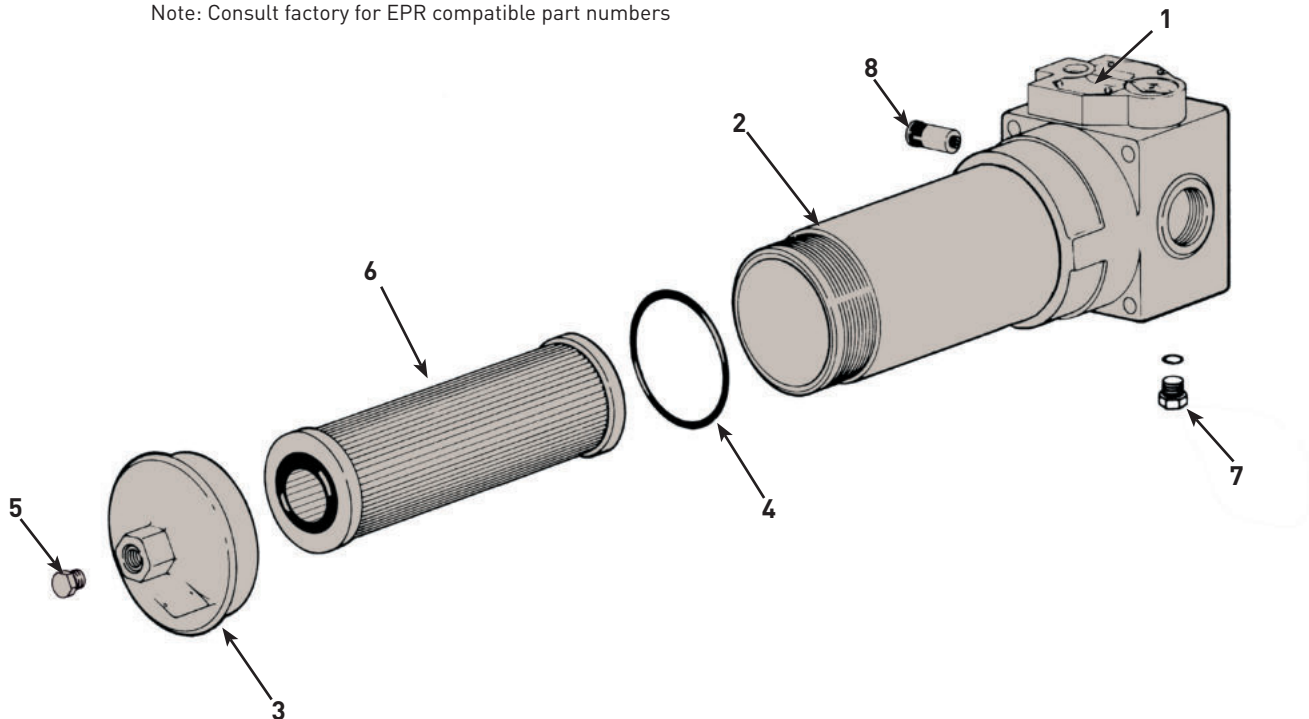
Index	Description	Part Number 50P/50PR
1	Head Assembly	C/F
2	Bowl	C/F
3	Cover	926655
4	Cover O-ring	
	Buna	N92246
5	Fluorocarbon	V92246
	Vent Plug	927363
6	Buna	N93905
	Fluorocarbon	V93905
7	Element	Elements selected will have consistent performance levels
8	Drain Plug	927363
	Buna	N93905
9	Fluorocarbon	V93905
	Bypass Valve	
	(50PR valve is not serviceable)	
	50psi	924189
	No bypass, 50 psi indicator	924192
	90 psi	927399
	No bypass, 90 psi indicator	930683
	Indicator Kits	
	Mechanical (left side)	931916
	Mechanical (right side)	931924
	Electrical (wire leads)	925337
	Electrical (3-pin Brad Harrison sytle)	926482
	Electrical (DIN 43650 connection)	929362
	O-ring, Manifold port	
	Buna	N92128
	Fluorocarbon	V92128

Element Service Instructions

When servicing the 50P filter, use the following procedure.

- A. Stop the system's power unit.
- B. Relieve any pressure in the filter or line.
- C. If desired, oil can be drained from filter housing by removing the drain port plug located in the head.
- D. Rotate the cover counter-clockwise and remove.
- E. Remove element from housing.
- F. Place new, clean element into housing centering element over locator.
- G. Inspect cover o-ring and replace if necessary
- H. Apply cover to filter and tighten to 45-50 ft. lbs.
- I. Replace drain plug and tighten 20-25 ft. lbs.

Note: Consult factory for EPR compatible part numbers



50P Series

High Pressure Duplex Filters

How To Order

Select the desired symbol (in the correct position) to construct a model code.

Example:

BOX 1	BOX 2	BOX 3	BOX 4	BOX 5	BOX 6	BOX 7	BOX 8
F3	50P	1	10Q	DL	90	PP	1

BOX 1: Seals	
Symbol	Description
None	Buna
F3	Fluorocarbon
E8	EPR

BOX 2: Basic Assembly	
Symbol	Description
50P	5000 PSI (MAOP)
50PR*	Reverse flow hydrostatic version

* Not available on triple length, must choose 1 or 2 in box 3.

BOX 3: Length	
Symbol	Description
1	Single
2	Double
3	Triple

BOX 4: Element Media	
Symbol	Description
02Q	Microglass, 2 micron
05Q	Microglass, 5 micron
10Q	Microglass, 10 micron
20Q	Microglass, 20 micron

BOX 5: Indicators	
Symbol	Description
P	Port plugged
PL	Port plugged, left side
M	Visual indicator
ML	Visual indicator, left side
E	Electrical indicator w/ wire leads and conduit connection
EL	Electrical indicator w/ wire leads and conduit connection, left side
D	Electrical indicator w/ ANSI, B.93.55M 3-pin Brad Harrison style connection
D	Electrical indicator w/ ANSI/ B.93.55M 3-pin Brad Harrison style connection, left side

Note: Left side is on viewer's left when looking into inlet port.

BOX 6: Bypass & Indicator Setting	
Symbol	Description
35	35 psid
50	50 psid
90	90 psid

BOX 7: Ports	
Symbol	Description
PP	SAE-24 straight thread
YY	SAE 1 1/2" flange face (J518)
XX	1 3/8" manifold ports on bottom of head

BOX 8: Options	
Symbol	Description
1	None
11	Blocked bypass

Please note the bolded options reflect standard options with a reduced lead time.

Replacement Elements (Fluorocarbon)

Standard Collapse				High Collapse			
Media	Single	Double	Triple	Media	Single	Double	Triple
02Q	932668Q	932677Q	933486Q	02QH	932674Q	932683Q	936446Q
05Q	932669Q	932678Q	933487Q	05QH	932675Q	932684Q	936447Q
10Q	932670Q	932679Q	933488Q	10QH	932676Q	932685Q	936448Q
20Q	931018Q	931020Q	933489Q	20QH	930438Q	931490Q	936449Q